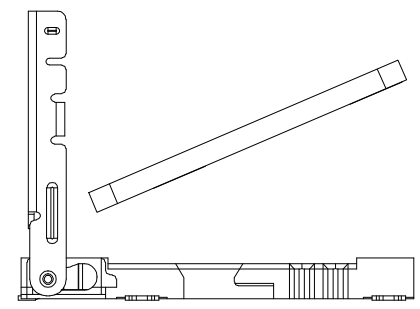
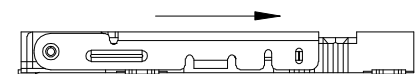


NANO SIM CARD

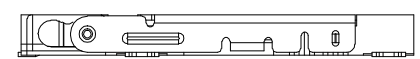
SIM CARD	
Pin No.	NAME
C1	VCC
C2	RST
C3	CLK
C5	GND
C6	VPP
C7	I/O



STEP 1 INSERT Micro-SIM CARD



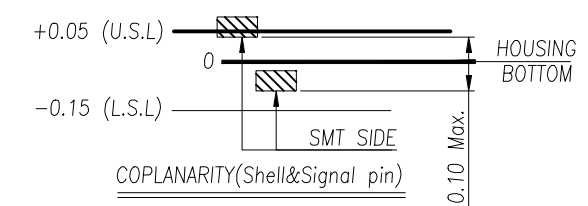
STEP 2 PUSH THE SHELL



STEP 3 FINISH



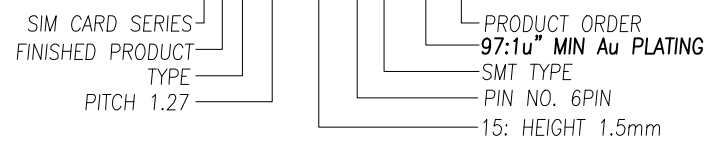
REV.	Q'TY	ECN. NO.	APR.	DATE
A		FIRST RELEASE	Brave	2017.07.12



NOTES:

- MATERIAL:
  - 1-1 HOUSING: THERMOPLASTIC, UL 94V-0; COLOR: BLACK
  - 1-2 SHIELDED: STAINLESS STEEL
  - 1-3 CONTACT: COPPER ALLOY
- FINISH:
  - 2-1 CONTACT: Au PLATING ON CONTACT AREA (SEE P/N DESCRIPTION)  
50u" MIN NICKEL UNDERPLATING OVER ALL  
100u" MIN MATTE TIN PLANTING ON SOLD AREA,
  - 2-2 SHIELDED: 1u" MIN Au PLATING ON SECURED AREA
- PRODUCT SPECIFICATIONS:
  - 3-1 VOLTAGE RATING: 50V
  - 3-2 WITHSTANDING VOLTAGE: AC250V R.M.S
  - 3-3 CURRENT RATING: 0.5A
  - 3-4 INSULATION RESISTANCE: 1000MEG.OHM MIN AT DC 250V
  - 3-5 CONTACT RESISTANCE: 100 MILL.OHM MAX
  - 3-6 OPERATION TEMPERATURE: -20° TO +85°
  - 3-7 DURABILITY: 3000 CYCLES

4) PART NO:  
 OLD PART NO: DCX-SIM006-313  
**CA398-15063-9700**



RECOMMENDED PCB LAYOUT  
 GENERAY TOLERANCE ±0.05

DIMENSION IN mm		TOLERANCE UNLESS OTHERWISE SPECIFIED	
.X±0.35	X.'±5'	APR.	TITLE: 1.5mm 鍍金 NANO SIM卡座
.XX±0.25	.X'±3'	CHK.	P/N: CA398-15063-9700 DWG NO. C-027-00
.XXX±0.15	.XX'±1'	DRA. Brave 2017.07.12	PROJ. CUSTOMER DRAWING
		SIZE A4	SCALE 3:1 SHEET 1/2 REV. A